



Sovitron Interior Pvt.Ltd.



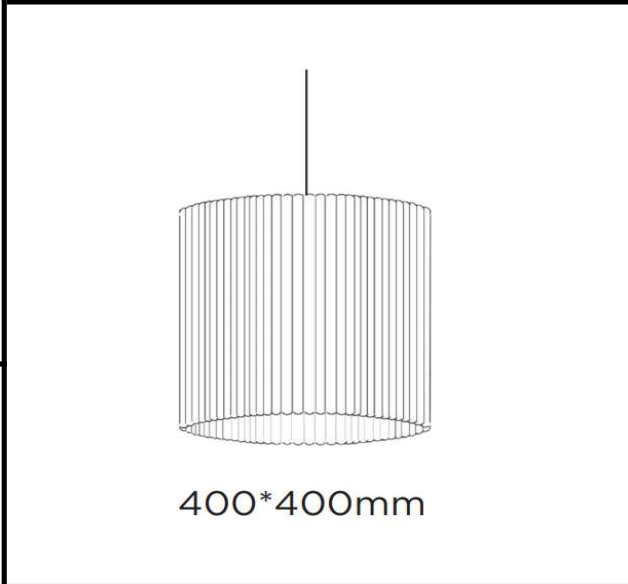
<b>Model Name</b>	DL-5880-BL Acoustic Light /DL-5880-BL-12
<b>Description</b>	Acoustic Light

Technical description	Image
-----------------------	-------

<b>Dimension</b>	Dia=400mm H=400mm
<b>Frame</b>	Acoustic
<b>Color Tempertaure</b>	4000K
<b>Power</b>	12W
<b>Total Luminous Flux</b>	840 lm
<b>Efficacy</b>	70 lm/W
<b>IP rating</b>	20
<b>Color Rendering</b>	≥80
<b>Mounting</b>	Pendant
<b>Optics</b>	LED
<b>Dimming</b>	NON-Dimmable
<b>Operating Voltage</b>	220-240 VAC
<b>Standard Lifetime</b>	L70 minimum at 50,000 burning hours



**Dimension diagram**



**Remarks:-**

**Address: Plot #7 Saroorpur-Nangla Industrial Area,Ballabgarh-Sohna Road,Faridabad-121005**  
**Email: info@sovitron.com**